

PowerROC T35

Surface drill rig for construction and quarrying

Hole diameter: 64–115 mm (2½"–4½")





Power and performance

The PowerROC T35 lives up to its name — it has all the power you will need to get the job done in the toughest conditions.

PowerROC T35 has been developed and designed for demanding applications in construction operations, aggregate and limestone quarries. The PowerROC T35 has a high penetration rate and can give your operation all the performance

and power it needs. In addition, the COP Logic system works in combination with a COP rock drill equipped with a damper system which helps to ensure low fuel consumption and high quality holes.

⊕ Main benefits

Easy to operate and maintain thanks to a straightforward design and ergonomic cabin

Straight holes and long drill steel life provided by the COP Logic system

High penetration rate due to a COP rock drill

High availability

The PowerROC T35 is a reliable machine which offers your operation high availability. It is a sturdy workhorse which can drill day-in and day-out. Thanks to the high degree of commonality with other Epiroc products and easy accessibility, servicing is quick and simple.



+ Efficient and economical

This rig delivers high availability and low fuel consumption. Thanks to its optimal use of impact force and overall ease-of-use, the PowerROC T35 offers great value for money — this in turn helps to achieve a fast return on investment and a healthy bottom line for your company. Additionally, as the machines are easy to use, operator training is quick and simple which means the machine can get down to work straight away.



+ High quality blast holes

The better the hole, the better the blast. Our COP Logic system adjusts to help maintain optimal drilling performance in real time. Additionally, robust hydraulics and a low number of moving parts help to increase reliability. Whatever the rock conditions, the PowerROC T35 helps ensure a high penetration rate and keep the cost of consumables low. The COP Logic system works in combination with a COP rock drill equipped with a damper. This helps to keep the bit in contact with rock and ensures no power goes to waste.



+ A streamlined and powerful workhorse

PowerROC rigs are designed to be simple and straightforward. Servicing is quick and downtime is kept to a minimum. Good operator ergonomics, high visibility and ease-of-use further serve to increase productivity. The PowerROC T35 is a dependable workhorse which will help your operation to be productive — shift-after-shift.



A comprehensive service offering

Even the best equipment needs to be serviced regularly to make sure it sustains peak performance. An Epiroc service solution offers peace of mind, maximizing availability and performance throughout the lifetime of your equipment. We focus on safety, productivity and reliability.

By combining genuine parts and an Epiroc service from our certified technicians, we safeguard your productivity – wherever you are.

Technical specifications

Main components

- Track frames with triple grouser pads, hydraulic track oscillation and three speed traction
- Tier 4 (Stage IIIB) diesel engine/Tier 3 (Stage IIIA) diesel engine, Cummins QSB6.7 150kW/Cummins QSB6.7 142 kW
- Screw type air compressor
- ROPS and FOPS-certified operator cabin

- Standard/extendable boom system
- Cylinder driven aluminium feed system
- Carousel type rod handling system
- Hydraulic rock drill
- Dust collection system

Engine

Cummins turbo charged, diesel engine QSB 6.7, Tier 3/stage IIIA	Metric	US
Power rating at 2 300 rpm	142 kW	190 hp
Cummins turbo charged, diesel engine QSB 6.7, Tier 4/stage IIIB	Metric	US
Power rating at 2 300 rpm	150 kW	201 hp

Hydraulic system

Hydraulic oil cooler	Metric	US
Max ambient temperature	50°C	122°F

Volumes

Hydraulic oil tank	200 l	53 US gal
Hydraulic system, total	280 l	74 US gal
Compressor oil	27 l	6.6 US gal
Diesel engine oil	25 l	6.1 US gal
Diesel engine, cooling water	33 l	8.7 US gal
Diesel engine, fuel tank	380 l	100 US gal

Compressor

Screw type air compressor	Metric	US
Working pressure, max	9.7 bar	140 psi
FAD, at normal working pressure	130 l/s	276 cfm

Boom

Standard boom for front face toe hole and extendable boom for vertical with wide coverage area are available	Metric	US
Boom extension	800 mm	140 psi
Boom lift angle	50° (above)	25° (below)
Boom swing angle	55° (right)	10° (left)

Dust collector

	Metric	US
Filter area	18.4 m ²	198 sq.ft
Number of filter elements	8 pcs	8 pcs
Cleaning air pressure, max	4.0 bar	58 psi
Cleaning air volume	17-34 l/pulse	170N l/min

Electrical system

Voltage	24 V
Batteries	2 x 12 V, 120 Ah
Alternator	24 V, 70 A
Work lights, front	2 x 70 W
Work lights, rear	1 x 70 W
Reverse alarm	

Feed

Hydraulic cylinder driven feed with hose guide with drill steel centralizer and movable dust hood	Metric	US
Feed extension	1 500 mm	59'
Feed rate, max	0.85 m/s	167 ft/min
Feed force, max	19.6 kN	4 406 lbf
Tractive pull, max	19.6 kN	4 406 lbf
Total length	7 770 mm	306'
Travel length	4 420 mm	174'

Hydraulic rock drill

Rock drill	Impact power	Hydraulic pressure	Impact rate	Max torque	Weight approx
COP SC19	19 kW (25.5 hp)	220 bar (3 190 psi)	49 Hz	700 Nm (516 lbf-ft)	174 kg (384 lb)
COP SC19X				*980 Nm (723 lbf-ft)	226 kg (498 lb)

* With 09 high torque rotation motor

Hole range (recommended)

Type of drilling	Drill steel type	Drilling diameter	Max hole depth	Drill steel length
Single pass	T38, T45, T51	64-115 mm (2½-4½")	3.66 m (12')	4 270 mm (14')
Extension drilling (Standard boom and extendable boom)	T38, T45		25 m (82')	4 270 mm (14') x 1 3 660 mm (12') x 6
	T51		18 m (59')	4 270 mm (14') x 1 3 660 mm (12') x 4

Technical specifications


A hydraulic cylinder feed system employs a rigid aluminium feed beam with precise feed force to help increase drill steel life.

Quick and consistent RHS operation via a 1-lever semi-automatic control (Tier 3 only).

A ROPS and FOPS-certified cabin equipped with hydraulic pilot control joysticks.

A COP SC19 rock drill, with the hydraulic based COP Logic control system, performs well in any conditions.

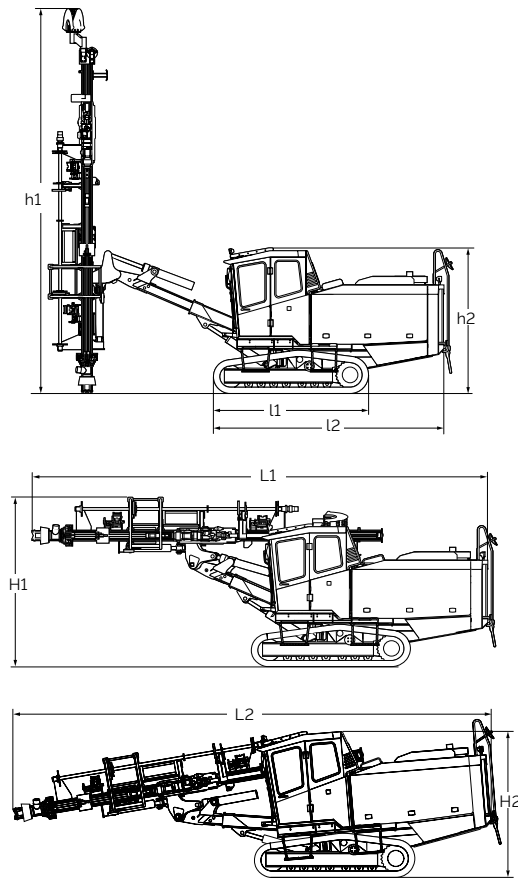
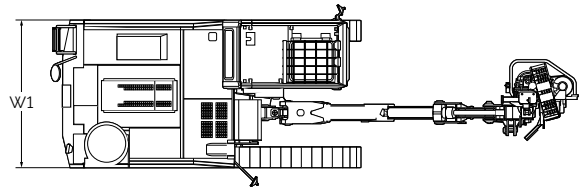
A Power ECO fuel economy system helps to optimize fuel economy (Tier 3 only).

Discover more about the PowerROC T35.

Transport dimensions

	Metric		US	
Feed height	7 770 mm		306'	
	Standard	Extendable	Standard	Extendable
Feed dumped 1				
Height (H1)	3 300 mm	3 500 mm	130'	138'
Length (L1)	9 100 mm	9 100 mm	359'	359'
Width (W1)	2 360 mm	2 360 mm	93'	93'
Feed dumped 2				
Height (H2)	2 900 mm	2 900 mm	115'	115'
Length (L2)	9 100 mm	9 400 mm	359'	371'
Width (W1)	2 360 mm	2 360 mm	93'	93'
Track				
l1	2 890 mm	3 160 mm	114'	125'
l2	4 440 mm	4 700 mm	175'	185'
Weight				
Tier 3/Stage IIIA	12 100 kg	12 500 kg	26 680 lb	27 560 lb
Tier 4/Stage IIIB		13 500 kg		29 770 lb



Selection of options

Carrier

- Track chains with single grouser pads
- Super rotation system
- Foldable ladder

Safety cabin

- Warning light – BEACON type
- Media receiver (Radio included for Japan only)
- Driving mirror (L/R)
- LED light kit
- Rear view camera
- Multi-view camera
- Wide footrest kit

Hole measuring systems

- 2D angle indicator
- 3D angle indicator with speed and depth

Lube oil, lube system and water mist system

- Water mist system (150 litres water tank)

CE requirement

- Protection of rotation parts

Feed

- Extractor on rock drill
- RHS for T38 SPEEDROD
- RHS for T38 with 55 mm coupling
- RHS for T45 SPEEDROD
- RHS for T45 with 63 mm coupling
- RHS for T45 with 66 mm coupling
- RHS for T51 SPEEDROD
- RHS for T51 with 72 mm coupling

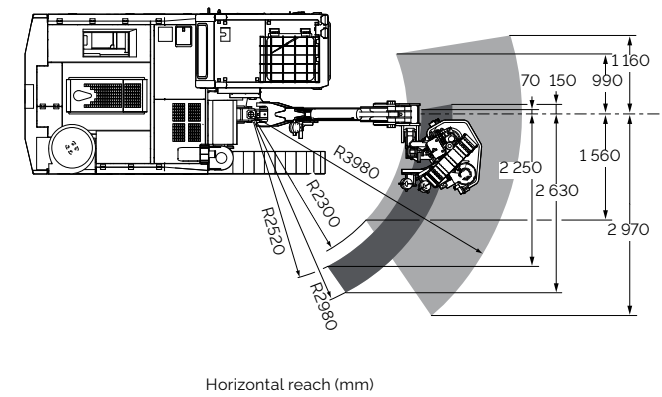
Dust control

- Dust pre-separator

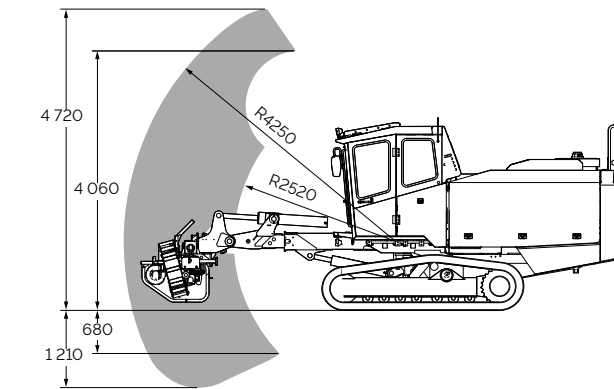
Delivered equipment, not mounted

- Gas charging equipment for rock drill
- Hydraulic pressure test kit
- Hydraulic oil filling hand pump kit
- Fuel filter upgrade kit

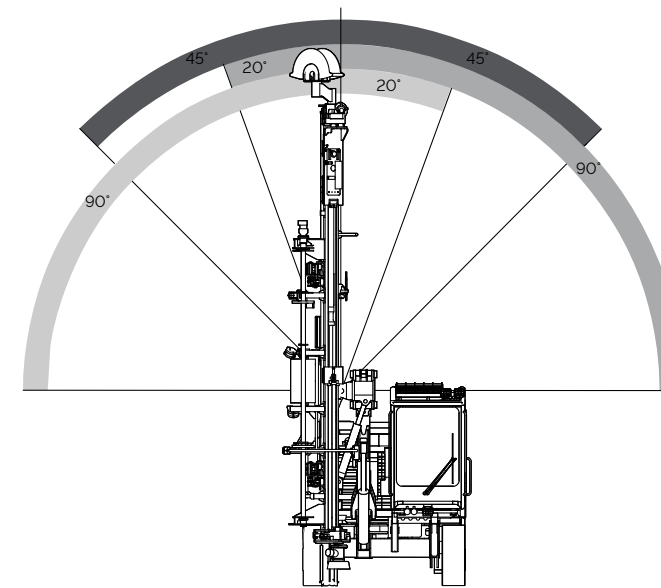
Technical specifications



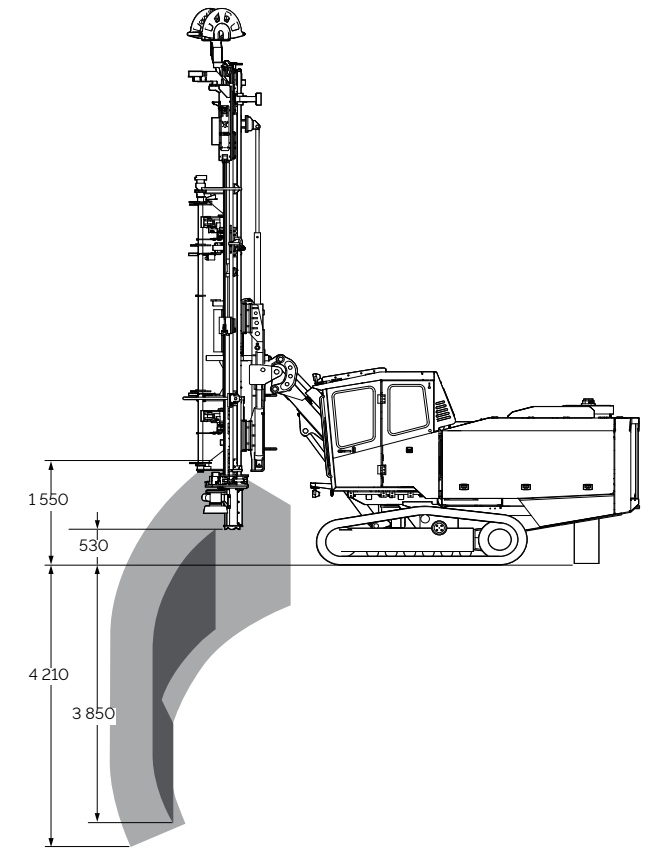
Horizontal reach (mm)



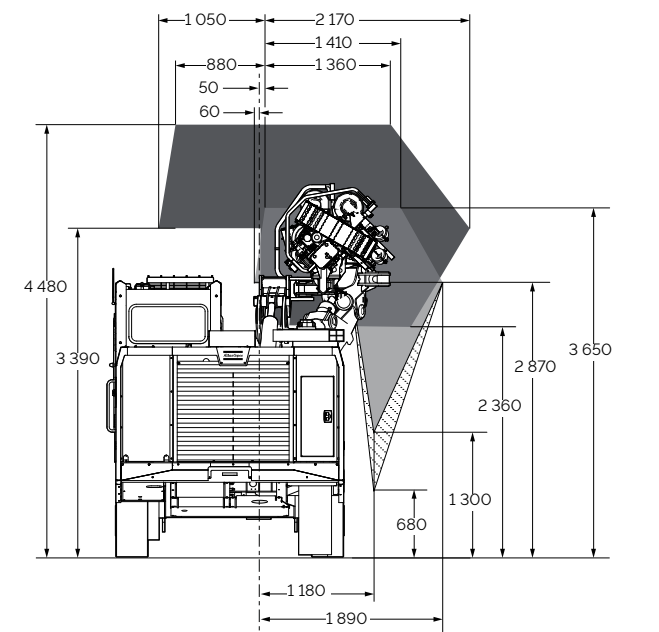
Toe hole drilling with re-pinning (mm)



Feed swing angles



Vertical reach (mm)



Rear view (mm)

United in performance. Inspired by innovation.

Performance unites us, innovation inspires us, and commitment drives us to keep moving forward. Count on Epiroc to deliver the solutions you need to succeed today and the technology to lead tomorrow.

[epiroc.com](https://www.epiroc.com)

