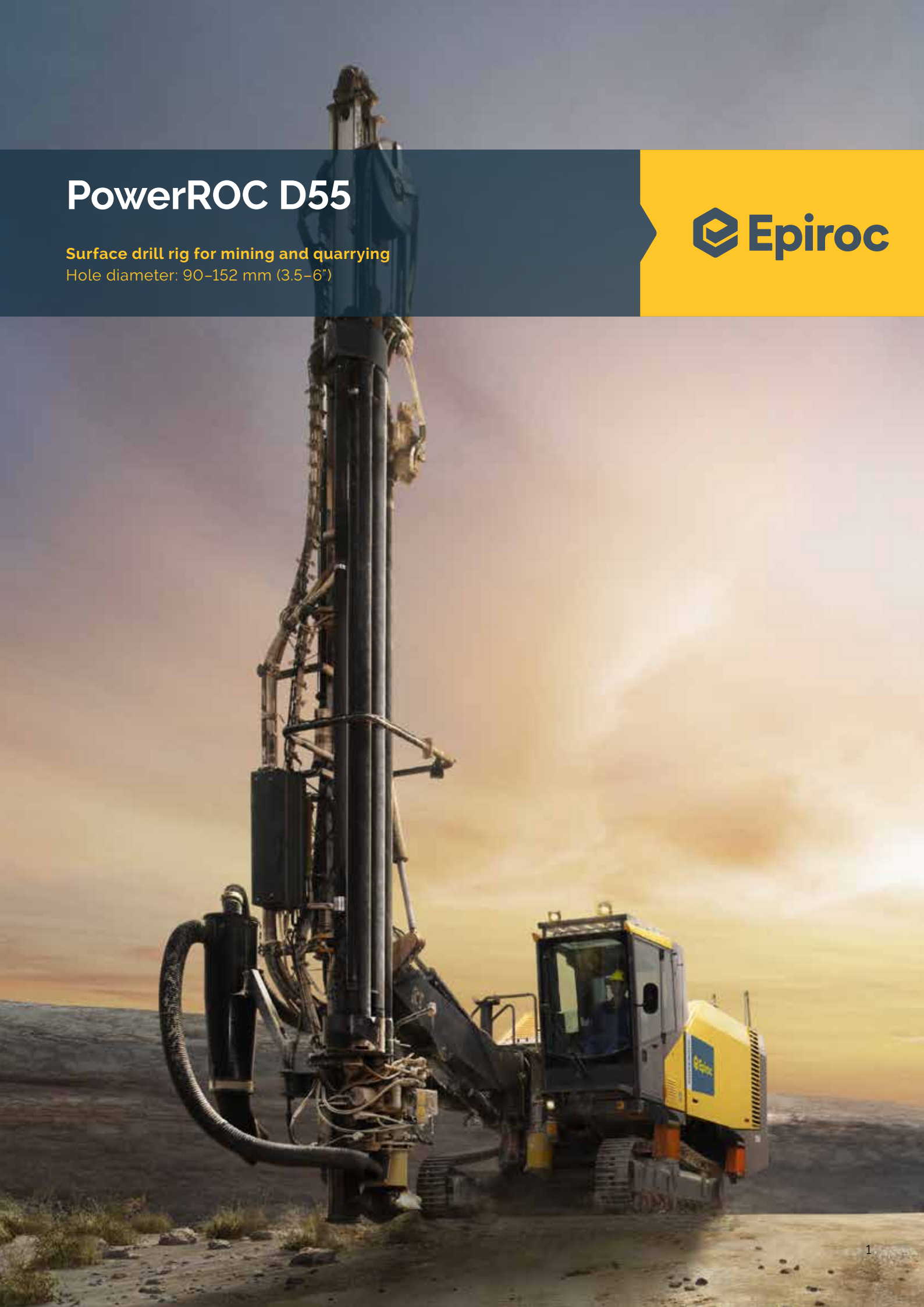


PowerROC D55

Surface drill rig for mining and quarrying
Hole diameter: 90–152 mm (3.5–6")





Performance you can count on

PowerROC D55 is a hydraulic down-the-hole rig you can trust on to perform reliably, even in the most demanding mines and quarries.

The PowerROC D55 is designed according to our philosophy of providing customers a reliable drill rig with high capacity, maximum uptime and simplicity in operation. Dual drill steel supports for straight hole drilling. Spacious compartment with ergonomic design, providing high visibility during drilling as well as comfortable operation. This rig allows flexibility for different

applications, such as side horizontal hole drilling, de-water hole drilling and toe hole drilling. A touchscreen-and-button display with the size of 12.1 inch, which offers operators a user-friendly interface for an intuitive understanding about the running status of the whole rig. With the new interface, which clearly shows the running status of the rig, maintenance is easier, and service interval is longer.

⊕ Main benefits

- High performance** thanks to well-proven Epiroc technology and extensive experience
- High reliability** due to a tried and tested design and reliable, high quality components
- Easy operation and maintenance** thanks to straightforward design

Dependable performance

As a leading supplier to the mining and quarry industries, Epiroc is constantly focused on the safety of our products. Data shown on a display with the size of 12.1 inch include, but are not limited to the data of engine, systems running status, diagnostic information, warning and alarm message and functional parameter settings, which clearly shows the running status of the rig.



+ Safety in focus

The comfortable FOPS and ROPS certificated cabin is equipped with a safety switch under the seat which adds to operator safety. The rig will stop drilling automatically if there is a reduction or loss of hydraulic pressure. The rig features a strong, standard boom giving strength and stability during drilling. The PowerROC D55 stops immediately if one of the four emergency stop switches distributed around the machine is operated.



+ High performance

The PowerROC D55 is fitted with an onboard Atlas Copco compressor delivering up to 289 l/s of air at a maximum pressure of 20 bar ensuring a high penetration rate. A protective system stops the rig if the oil level in the circuit is too low. This function improves reliability and increases compressor-life. A robust chain feed gives the PowerROC D55 lower running costs and a prolonged service life. The cooling system can handle a wide ambient temperature range of between -20°C to 50°C even during demanding drilling.



+ Easy maintenance

The Centralized Service Spot is a new feature on PowerROC D55. It provides easy access to vital service points, convenient replacement of air filters and oil filters, and makes it easy to check all oil levels. Additionally, the hydraulic valve blocks have been positioned to allow for easy adjustment and inspection. The feed beam can be positioned horizontally which enables toe-hole drilling and makes for easy inspection and maintenance.

A comprehensive service offering

Even the best equipment needs to be serviced regularly to make sure it sustains peak performance. An Epiroc service solution offers peace of mind, maximizing availability and performance throughout the lifetime of your equipment. We focus on safety, productivity and reliability.

By combining genuine parts and an Epiroc service from our certified technicians, we safeguard your productivity – wherever you are.



Technical specifications

Main components

- Cummins turbo-charged Tier 3 diesel engine
- High pressure compressor Atlas Copco screw compressor
- Carousel type rod handling system
- Break-out table
- Track frames with triple grouser pads and cleaning holes, hydraulic track oscillation and two speed traction
- ROPS and FOPS certified cabin with a 12.1 inch display and air-condition
- Standard boom
- Hydraulic oil heater
- Power ECO
- PowerUP
- Aluminum feed beam which can be positioned horizontally for toe-hole drilling
- Chain feed system powered by hydraulic motor
- Dust collection system
- Pre-separator
- Feed extension
- DTH hammer lubricator device (pneumatic)
- Thread lubrication, spray system
- Back-up alarm
- 2D angle indicator, electronic

Engine

Cummins turbo-charged, diesel engine, QSL8.9-C360, Tier 3	Metric	US
Power rating at 1 800 rpm	264 kW	352 hp

Dust collector

PowerROC D55 - DCT 200	Metric	US
Filter area	20 m ²	215 sq.ft
Number of filter elements	20 pcs	20 pcs
Cleaning air pressure, max	7.0 bar	102 psi
Cleaning air consumption	2-4 l/pulse	0.06-0.12 cu.ft/pulse
Suction capacity at 500mm wg	950 l/s	2 013 cfm

Hole range & depth (recommended)

Recommended DTH hammers and hole range			
PowerROC D55	COP 32, COP 44, COP 54	90-152 mm (3.5-6')	
Hydraulic rod adding system for max hole depth		Metric	US
PowerROC D55		5 m	16.4'
Single pass drilling, max hole depth			
PowerROC D55	Ø 102 mm Rod	30 m	98.4'

Volumes

Hydraulic oil tank	380 l	100 US gal
Hydraulic system, total	470 l	124 US gal
Compressor oil	70 l	18.5 US gal
Diesel engine oil	35 l	9.2 US gal
Diesel engine, cooling water	60 l	15.9 US gal
Diesel engine, fuel tank	760 l	201 US gal
Traction gear	3 l	0.8 US gal
Lubrication tank (ECL)	18 l	4.8 US gal
Urea tank (China only)	65 l	17.2 US gal

Rotary head

Rotary head	Connection thread	Hole range	Max rpm	Max torque, drilling	Max torque, breaking	Suitable for DTH hammer
DRU 5 (only China)	API 2 3/8" REG, box	90-152 mm (3.5-6')	90	2 040 Nm (1 504 lbf)	3 400 Nm (2 507 lbf)	COP 34, COP 44, COP 54
DHR 6H 56	API 2 3/8" REG, box	90-152 mm (3.5-6')	107	2 353 Nm (1 735 lbf)	3 900 Nm (2 876 lbf)	COP 34, COP 44, COP 54

Down-the-hole hammer (to be ordered separately)

Down-the-hole hammer	Top sub thread	Hole range	Weight	Length excl thread
COP 34	API 2 3/8" REG pin	90-105 mm (3.5-4.1')	23 kg (51 lbf)	925 mm (36.4')
COP 44	API 2 3/8" REG pin	115-127 mm (4.5-5')	38 kg (84 lbf)	958 mm (37.7')
COP 54	API 2 3/8" REG pin	134-152 mm (5.5-6')	57 kg (125 lbf)	1 069 mm (42.1')

Hydraulic system

Hydraulic oil cooler	Metric	US
Maximum ambient temperature	50°C	122°F

Compressor

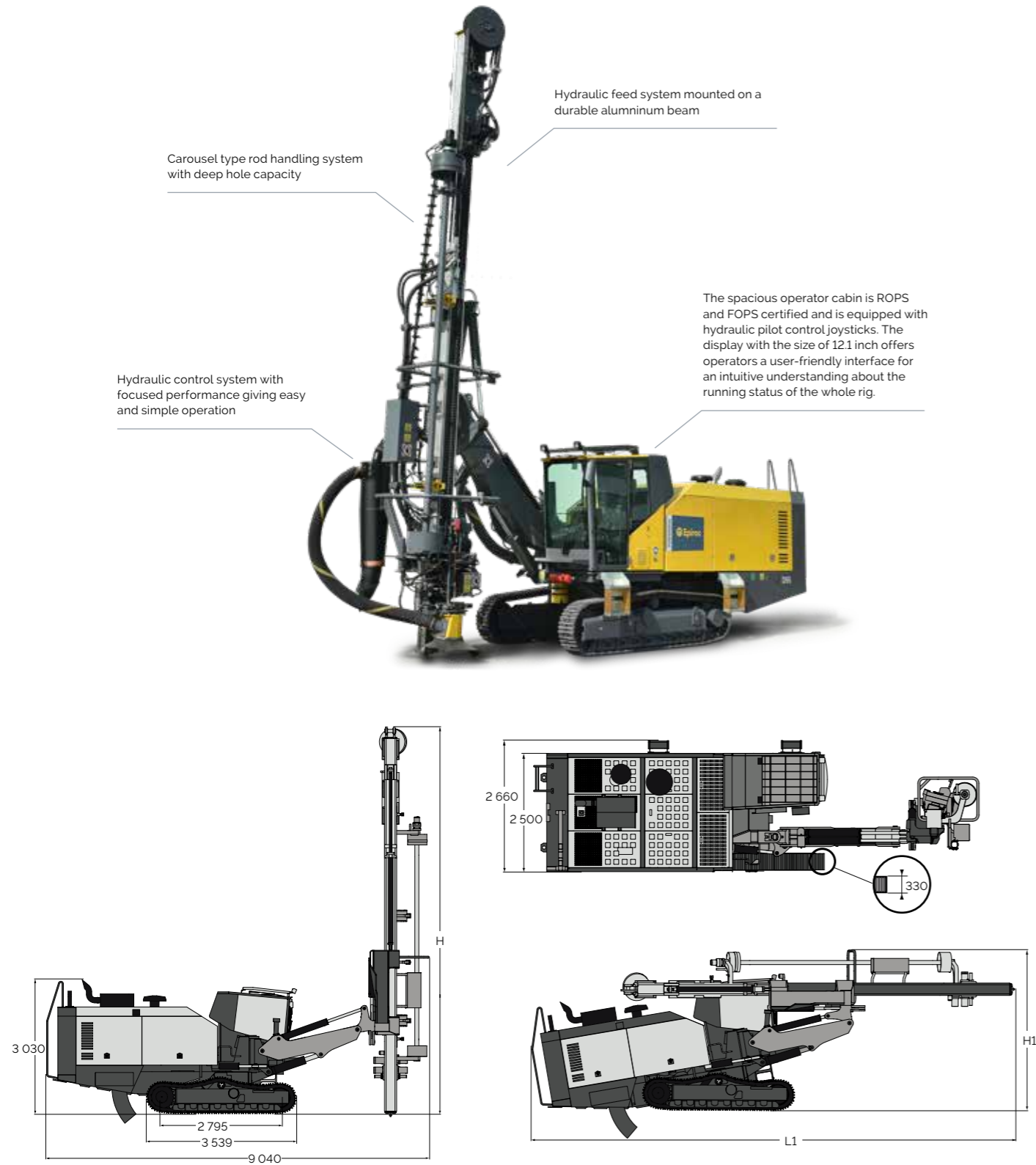
Atlas Copco, two-stage screw type compressor	Metric	US
Maximum working pressure	20 bar	290 psi
FAD, at normal working pressure	289 l/s	612 cfm

Feed

Chain feed with dual drill rod support	Metric	US
Feed extension	1 900 mm	74.8'
Feed rate, max	0.85 m/s	170 ft/min
Feed force, max	24 kN	5 394 lbf
Tractive pull, max	30 kN	6 743 lbf
Total length	9 400 mm	370.1'
Travel length	5 400 mm	212.6'

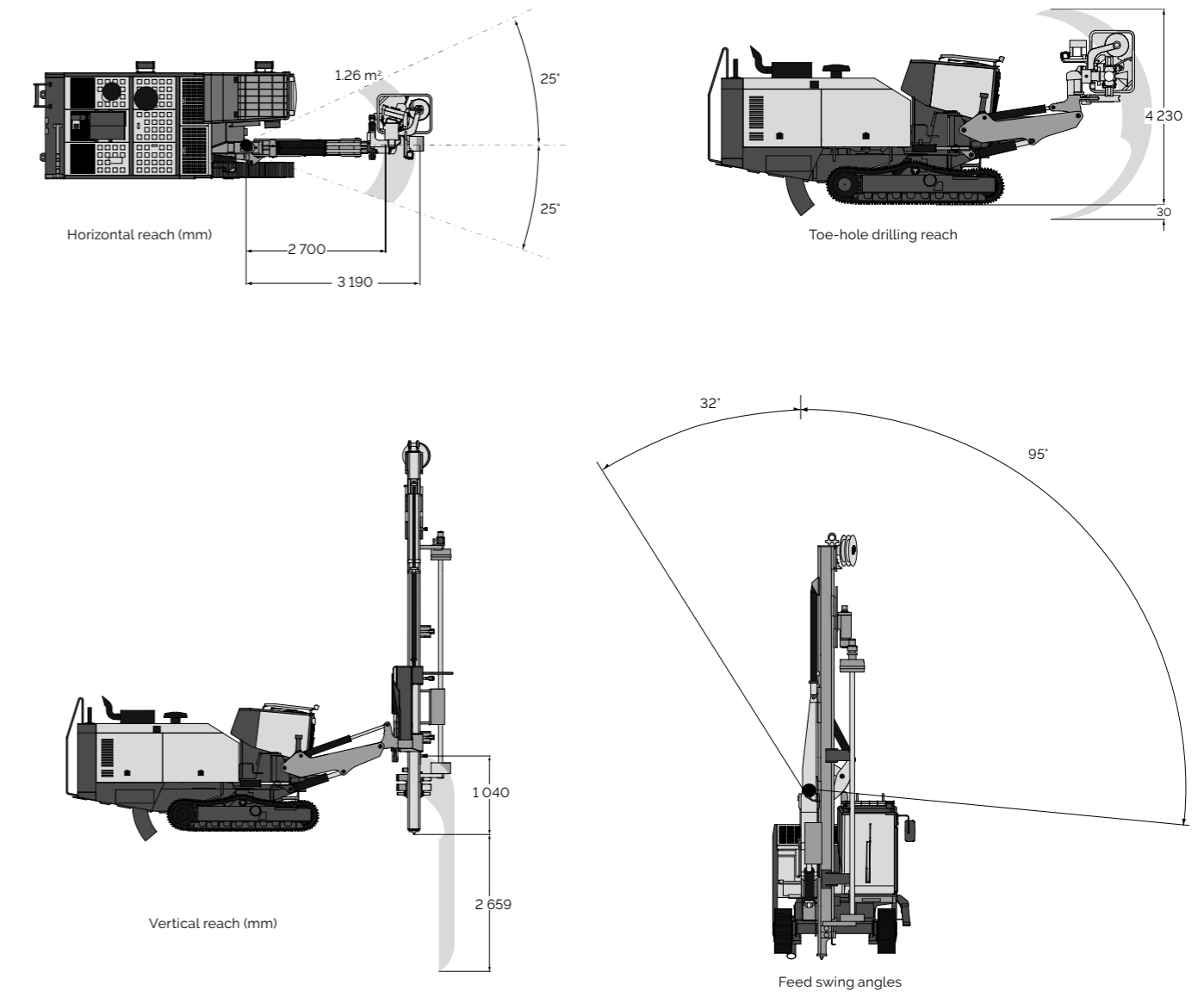
Electrical system

Voltage	24 V
Batteries	2 x 12 V, 200 Ah
Alternator	28 V, 110 A
Work lights, front	3 x 70 W
Work lights, rear	1 x 70 W
Work lights, feed	2 x 70 W



Transport dimensions

	Metric	US
Height (H1)	3 700 mm	145"
Length (L1)	10 520 mm	415"
Feed height (H)	9 400 mm	370"
Weight	20 500 kg	45 195 lb



Selection of options

Safety cabin

- Hole depth indicator into display
- Reversing camera with display mounted in the cabin

Carrier

- Hydraulic support leg
- Electrical refueling pump
- Service lamps in canopy
- Cold weather kit, diesel engine pre-heater and compressor regulation heating kit
- Certiq with MCG

Dust control

- Movable pre-separator

Feed

- Hole depth only for oversea
- Service winch with jib boom mounted on the feed
- Dimension kit for 76 mm, 89 mm, 102 mm and 114 mm tube

Lubrication oil, lubrication system and water mist system

- Central lubrication system (CLS)
- Artic hydraulic oil, VG 32
- Tropical hydraulic oil, VG 68
- Standard hydraulic oil, VG 46
- Water mist system, with water pump and 400 l water tank

United in performance. Inspired by innovation.

Performance unites us, innovation inspires us, and commitment drives us to keep moving forward. Count on Epiroc to deliver the solutions you need to succeed today and the technology to lead tomorrow.
[epiroc.com](https://www.epiroc.com)

